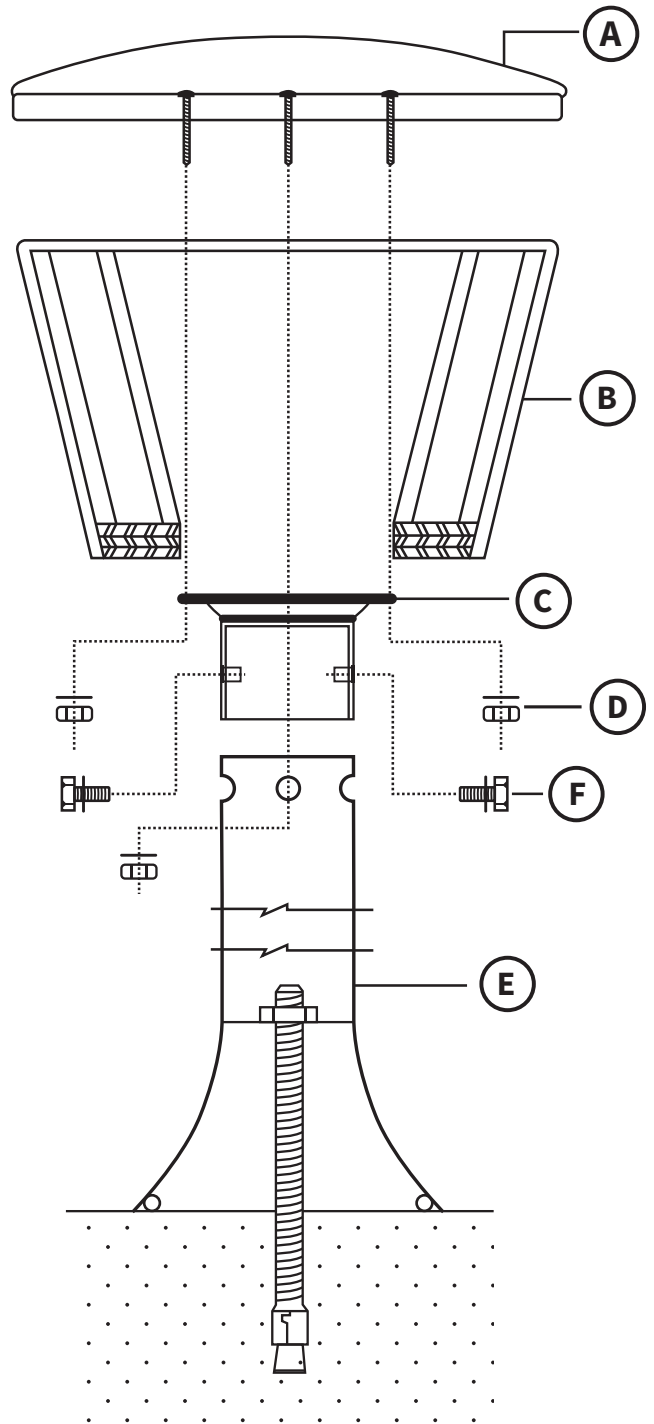


1500-161 STOOL ASSEMBLY GUIDE

PART LEGEND	
A	Upholstered stool head
B	Upholstered stool skirt
C	Swivel assembly
D	Nut & Washer Assembly
E	Stool column
F	Swivel attachment bolt & washer



TYPE-C

ASSEMBLY INSTRUCTIONS

1. Mount column and bell to floor. Set bell in continuous sealant bead around perimeter of bell. Clean excess sealant from floor.

Note: Remove and replace swivel only as required to access hardware during shipping. Inspect all swivels for secure, tight fit.

2. Position (B) upholstered stool skirt over swivel and align stud holes.

3. Slide (A) upholstered stool head mounting studs through (B) skirt and (C) swivel assembly.

4. Attach (D) nut and washer assembly to (A) mounting studs tighten assembly complete.

Note: You will need a deep well socket and extension sufficient to reach and tighten nuts from underside